

The GFC165 is a panoramic portable unit derived from our well known Crawler series but designed to be operated on field without mechanical carriage. This unit has then naturally inherited the reliability of the crawler technology of Balteau NDT.

Fields of operations for this kind of equipment are generally piping industry, tanks, reservoirs and hollowed components, where a panoramic exposure can be done. It will easily surpass the poor contrast of Isotopes and will be a very interesting replacement in lower thickness ranges where Isotopes are generally not allowed.

In combination with a GFD (Directional) or a CERAM, the GFC165 is the ideal machine for field applications where the unit needs to be frequently moved or inserted in tiny spaces. Guard rings can be removed and a cradle can be used to perform difficult inspections.

This unit has to be combined to one of the two available types of control units (CF2000 or Hand X). It is self recognized by any of our control units. The power consumption is the lowest of the range and makes it the perfect candidate for mobile inspections.



Size and performances

When looking to it, you'll see a very small unit, but don't under evaluate the capacity of this well proven equipment. It is used in various fields of applications, from oil and gas to aerospace and this for more than 25 years now. The unit has been totally redesigned and upgraded to the latest technology but the very heart of it is still made according to the same high standard requirements and efforts to perfection. The simplicity of the construction is giving the user the assurance that support when required can easily be given.

This equipment is the ideal replacement for an Isotope job on thin materials where the contrast cannot be given by Isotopes.

Pulsed wave high voltage generator

Pulsed wave technology is the only acceptable compromise between power and contrast which are representing economy and quality requirements. Pulsed wave generators can drive a higher current at full power and will still keep an extremely broad spectrum to guarantee that soft X-rays will be present even at full kV giving a contrast that is not achievable with any other voltage multiplying techniques at same kV.

Energy savers

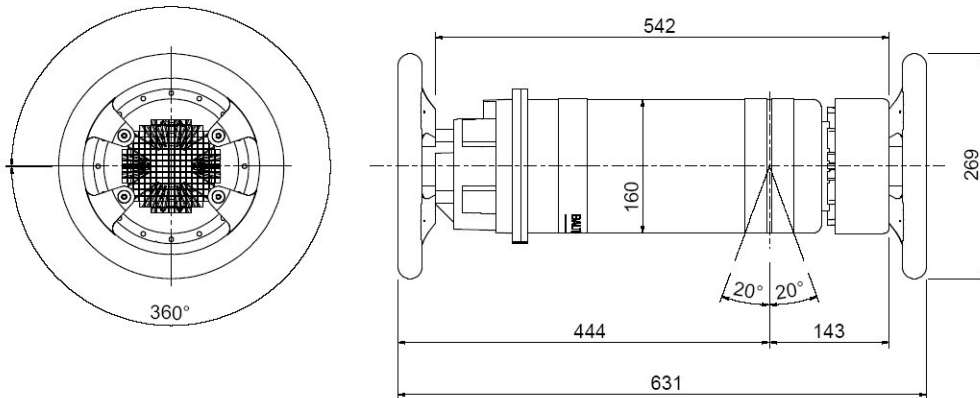
Power waste is concerning every industry and all actions contributing to the decrease of wasted energy can create big savings when added one to one. An efficient system can only be if the regulation of power supply is efficient and if the technology used is the most advanced. The technology we have used in the high voltage transformer cuts the power need by two to produce the same output with a competitor product. On the regulation side, our units can accept wide variations on the input without effect on the output.

Field operation

All our portable units are designed to operate on power generator when required. Safety oriented, our units are bright yellow to be easily sight located and can even be equipped with additional lights on the can that will indicate the working status (option). A specific micro chip identifies each generator and brings our control unit the ability to instantaneously recognize the equipment connected and adapt the best parameters to drive the new generator. Our main connectors are original military ITT CANNON plugs for years. Additional accessories from Clignotix, filters, laser pointers, stands or specific cradles for centering in pipelines are available.

Specifications

Mechanical



Weight without rings : 12,3 kg

Electrical

High voltage range	kV	50 – 160
Tube current range	mA	0,1 – 5
Duty cycle		100% *
Insulation		SF6 gas
Mains	V	180-260

* at a temperature of 30°C reduced mA

X-ray tube

Beam angle		360° x 40°
Focal spot size (IEC336)		Ø4 x 0,9
Inherent filtration	mm	7 Al
Anode cooling type		Air

Environmental

Operating temperature	°C	Max. 70
-----------------------	----	---------

Standard equipments

Internal pressure gauge, heavy duty lock type connector, 20 m connecting cable, quick release SF6 valve, heavy duty rubber coated hand rings, bag for accessories.

Optional accessories

Warning light, warning light repeater, transport case, cradle, support stand, hydraulic stand, 100-260 V adapter, ring lead screen allowing directional shot, telescopic centering rods

Producer

Balteau NDT sa

Voie de Liège, 12
B-4681 Hermalle Sous Argenteau
BELGIUM

Tel.: +32 4 374 75 75

Fax: +32 4 374 75 85

E-mail: balteau@balteau-ndt.com

Website: www.balteau.com

Distributor