

The LLX160/DA/1 is a high frequency constant potential Directional Air cooled, portable X-ray generator.

LLX is the latest result of 65 years of expertise of Balteau in portable units combined to 25 years of Constant Potential equipment manufacture. LLX is the answer to your requirements for field inspection especially where quality requirements and speed of inspection are essentials.

With a superior dose output for an equivalent kV setting, LLX has been engineered to be more compact and lightweight than its competitors. The specific shape given to the head of the generator makes it easier to use on field where space is always restricted for instance in aerospace applications.

LLX is controlled by a full digital control unit (DC1) using the energy saving concept of the BALTOSPOT series and our well known Hand-X® wireless remote control that is also available for your best safety.



Small focus tubehead

Meeting or exceeding usual standards about mini-focus, the insert is a metal ceramic X-ray tube of the latest generation with a very small focal spot size which is perfectly adapted to short FFD exposure parameters or even to exposures with magnifications.

High frequency constant potential

Constant Potential generators are providing an average higher output current than pulsed wave generators due to the DC nature of the high voltage generated. Although the contrast may be reduced as the energy average level is higher, the main advantage leads in the ability to adjust precisely the value of kilovolts all through the range of operation even from very low kV. This allows you performing inspection on a wide variety of materials but also to use this equipment on non film exposures like real time.

Automatic functions

The latest software functions are implemented to make your life easier and your operations quicker and safer. Automatic preheating is helping bringing just the required time and parameters to keep your tube clean and able to deliver full power when needed. LLX is also equipped with a self adjusting power for using the necessary power and nothing more when operating on power generators or where availability is limited.

Exposure calculator with built in curves and functions to help limiting retakes due to bad settings. Auto diagnostic features for calibration check and general overview for preventive maintenance.

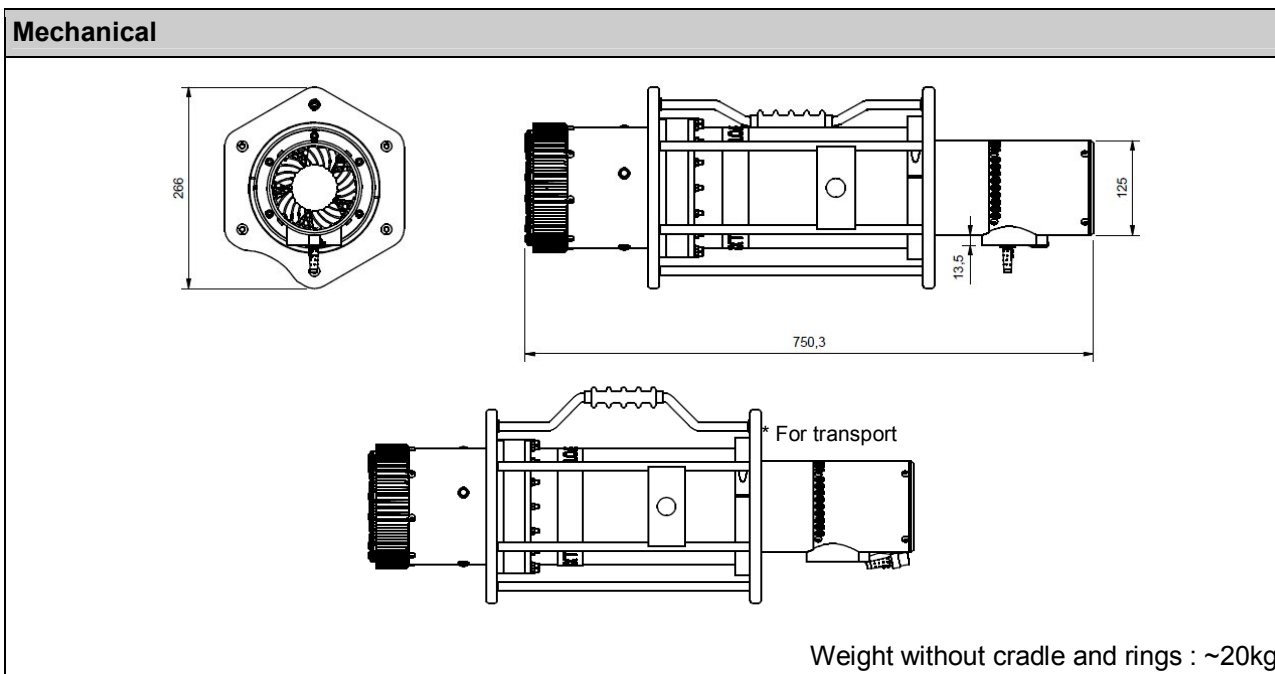
Energy savers

Power waste is concerning every industry and all actions contributing to the decrease of wasted energy can create big savings when added one to one. An efficient system can only be if the regulation of power supply is efficient and if the technology used is the most advanced. The technology we have used in the high voltage transformer cuts the power need by two to produce the same output with a competitor product. On the regulation side, our units can accept wide variations on the input without effect on the output. Another side effect of this energy saving is the size and weight of cables that can then be reduced to the most.

Field operation

All our portable units are designed to operate on power generator when required. Safety oriented, our units are bright yellow to be easily sight located and can even be equipped with additional lights on the can that will indicate the working status (option). A specific micro chip identifies each generator and brings our control unit the ability to instantaneously recognize the equipment connected and adapt the best parameters to drive the new generator.

Specifications



Electrical		
High voltage range	kV	15 – 160
Current range	mA	0,5 – 12
Max. Power	W	900
Duty cycle		100%
Insulation		SF6 gas
Mains	V	180-260
Environmental		
Operating temperature	°C	Max. 75

X-ray tube	
Beam angle	40°
Focal spot size (IEC336)	1,5 x 1,5
Inherent filtration	mm 1 Be
Anode cooling type	Air

Standard equipments
Internal pressure gauge, heavy duty lock type connector, 20 m connecting cable, quick release SF6 valve, heavy duty rubber coated hand rings, holder for centering device filter and diaphragm.
Optional accessories
Lead shutter, warning light, warning light repeater, bag for accessories, transport case, cradle, support stand, hydraulic stand, 100-260 V adapter.

Producer

Balteau NDT sa	
Voie de Liège, 12	
B-4681 Hermalle Sous Argenteau	
BELGIUM	
Tel.:	+32 4 374 75 75
Fax:	+32 4 374 75 85
E-mail:	balteau@balteau-ndt.com
Website:	www.balteau.com

Distributor

