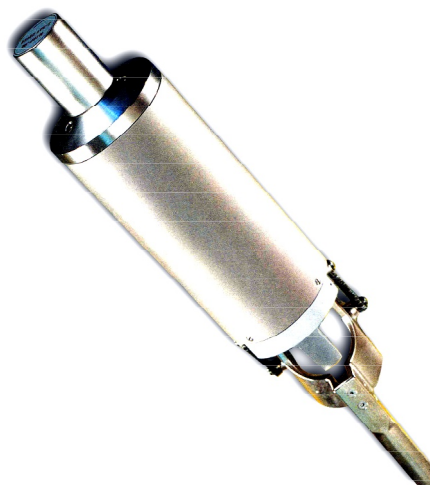


The TSC160 is the Panoramic version of the Directional universal Monopolar tube for light alloys, composites or small to medium steel thicknesses. With a power of up to 1 kW and a diameter of 100 mm this is the ideal candidate for tank inspections or hollow components with small inner diameters.

The tube shielding is internal and reduces the radiation leakage to less than 1 R/h @ 1 m as required by International standards. In and out fluid inlets are mounted with universal connectors while the HV plug cone is a R24.

This tube can be used with all brands of generators provided that the load curve can be adapted. See our specialists if you intend to connect this tube to another unit than a BALTEAU.



Specifications

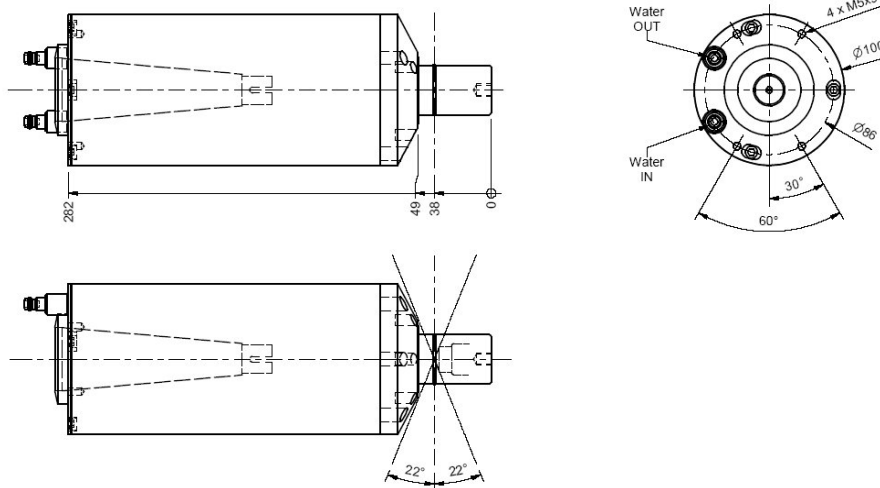
| | | | | | |
|-------------------|----|---------------|---------------------|-----------|--------|
| Max. High Voltage | kV | 160 | Nominal power | W | 1000 |
| Tube type | - | Metal-ceramic | Inherent filtration | mm | ~ 5 Al |
| Beam angle | - | 360° x 40° | Target angle | - | 22° |
| Cooling Mode | - | Water | Leakage * | mSv/h @1m | 2,5 |
| HV Connector | - | R24 | Cooling flow rate | l/min | 4 |
| Part number | - | 04841220 | Weight | kg | 8 |

| Small focal | | | Large focal | | |
|----------------------|----|---------|----------------------|----|---|
| Max Current @ kV Max | mA | 6,25 | Max Current @ kV Max | mA | - |
| Focal spot IEC336 | - | 3 x 0,3 | Focal spot IEC336 | - | - |
| Focal spot EN12543 | d | 4 x 0,4 | Focal spot EN12543 | d | - |
| Max Current | mA | 12 | Max Current | mA | - |

* Leakage radiation max at 1 m in mSv/h at nominal kV

All specifications are non contractual and are subject to change without prior notice

Mechanical



Dimensions in mm



Load curves are indicative as they display the theoretical capacity of the target that may be modified by the HV generator connected and by user's settings. Please consult our engineers for up to date information and data related to your generator.

Standard equipments

Fittings for water hose connections d=8 and d=12 mm, Leaded protective cover

Optional accessories

Quick flange with key ; FLS02 – Four Legs Stand

Producer

Balteau NDT sa

Voie de Liège, 12
B-4681 Hermalle Sous Argenteau
BELGIUM

Tel.: +32 4 374 75 75

Fax: +32 4 374 75 85

E-mail: balteau@balteau-ndt.com

Website: www.balteau.com

Distributor

All specifications are non contractual and are subject to change without prior notice