

The TSD160/3 is a Monopolar tube designed for radiography installations or for applications where working cycle is extremely important. Indeed, the tube is mounted with two identical small size filaments adapted to the radiography or radioscopia of light alloys, composites or small steel thicknesses. One filament can be considered as a spare of the other one and due to the fact that sizes are identical, can replace a broken filament without the need of re-qualification of the technique or a change in the parameters.

The outside diameter of the housing is barely 100 mm which will ensure that the tube can be inserted even in tiny spaces. The tube shielding is internal and reduces the radiation leakage to less than 1 R/h @ 1 m as required by International standards. In and out fluid inlets are mounted with universal connectors while the HV plug cone is a R24.

This tube can be used with all brands of generators provided that the load curve can be adapted. See our specialists if you intend to connect this tube to another unit than a BALTEAU.



## Specifications

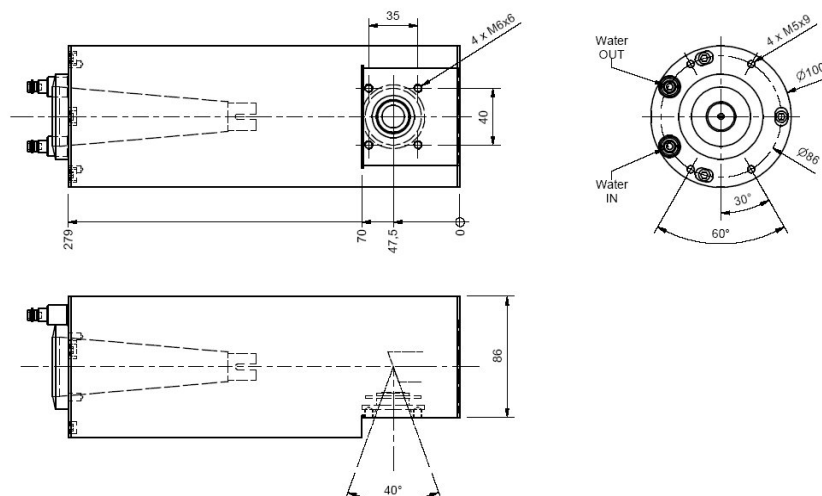
Max. High Voltage	kV	160	Nominal power	W	640 / 640
Tube type	-	Metal-ceramic	Inherent filtration	mm	0,8 Be
Beam angle	-	40°	Target angle	-	20°
Cooling Mode	-	Water	Leakage *	mSv/h @1m	2,5
HV Connector	-	R24	Cooling flow rate	l/min	4
Part number	-	04840190	Weight	kg	8

Small focal			Large focal		
Max Current @ kV Max	mA	4	Max Current @ kV Max	mA	4
Focal spot IEC336	-	0,4 x 0,4	Focal spot IEC336	-	0,4 x 0,4
Focal spot EN12543	d	1	Focal spot EN12543	d	1
Max Current	mA	15	Max Current	mA	15

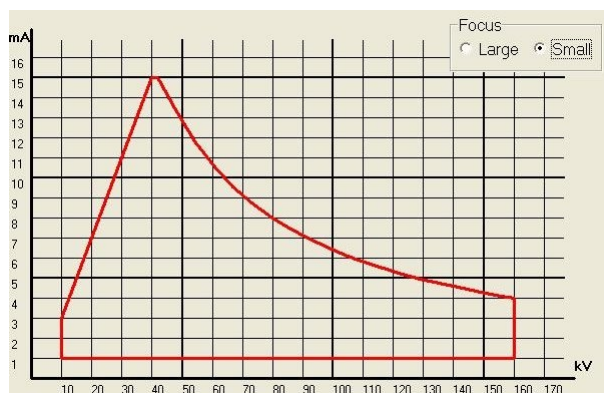
\* Leakage radiation max at 1 m in mSv/h at nominal kV

All specifications are non contractual and are subject to change without prior notice

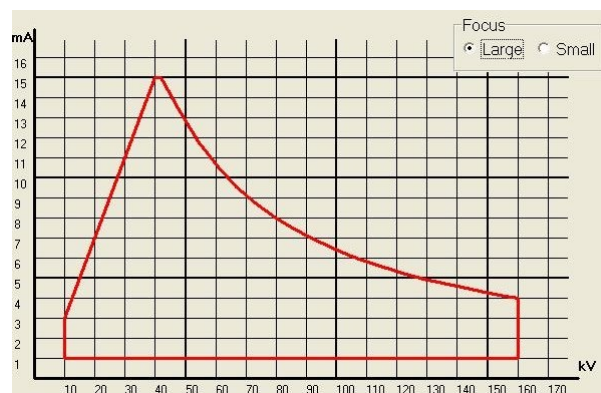
## Mechanical



Dimensions in mm



Small focal



Large focal

Load curves are indicative as they display the theoretical capacity of the target that may be modified by the HV generator connected and by user's settings. Please consult our engineers for up to date information and data related to your generator.

## Standard equipments

Fittings for water hose connections d=8 and d=12 mm

## Optional accessories

Quick flange with key ; TAS01 – Tube Accessories Support ; Lead shutter ; FLS02 – Four Legs Stand ; CLMT – Tube Collimator

## Producer

### Balteau NDT sa

Voie de Liège, 12  
B-4681 Hermalle Sous Argenteau  
BELGIUM

Tel.: +32 4 374 75 75

Fax: +32 4 374 75 85

E-mail: [balteau@balteau-ndt.com](mailto:balteau@balteau-ndt.com)

Website: [www.balteau.com](http://www.balteau.com)

## Distributor