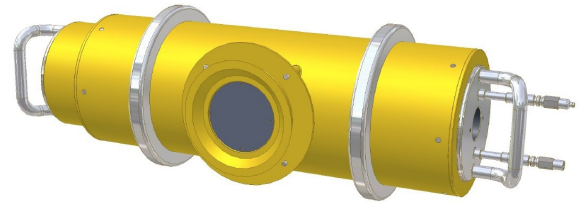


The TSD450/3 is a compromise between power and definition. This tube is equipped with two relatively small size filaments that will give the possibility to perform radiographies with magnifications or with non film detectors as these are generally requiring lesser doses than films. If used with film techniques, the only limit will be exposure time. Thanks to its beryllium window this tube also delivers soft X-rays for light materials or improved radiographic techniques.



The tube shielding is internal and reduces the radiation leakage to less than 1 R/h @ 1 m as required by International standards. In and out fluid inlets are mounted with universal connectors while the two HV plug cones are R28.

This tube can be used with all brands of generators provided that the load curve can be adapted. See our specialists if you intend to connect this tube to another unit than a BALTEAU.

Specifications

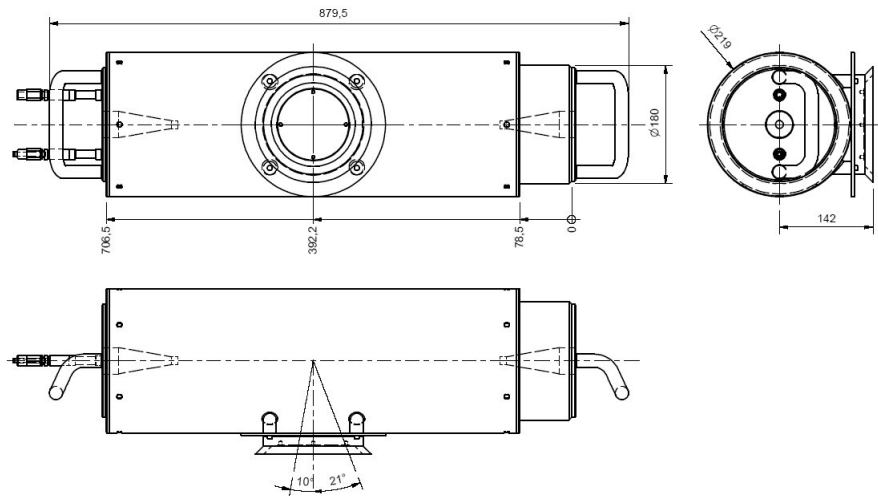
Max. High Voltage	kV	450	Nominal power	W	960 / 2250
Tube type	-	Metal-ceramic	Inherent filtration	mm	7 Be + 0,5 Cu
Beam angle	-	30° x 40°	Target angle	-	10°
Cooling Mode	-	Oil	Leakage *	mSv/h @ 1m	10
HV Connector	-	R28	Cooling flow rate	l/min	17
Part number	-	04840470	Weight	kg	114

Small focal			Large focal		
Max Current @ kV Max	mA	2,1	Max Current @ kV Max	mA	5
Focal spot IEC336	-	0,8 x 0,8	Focal spot IEC336	-	1,8 x 1,8
Focal spot EN12543	d	1,9	Focal spot EN12543	d	3,6
Max Current	mA	6	Max Current	mA	12

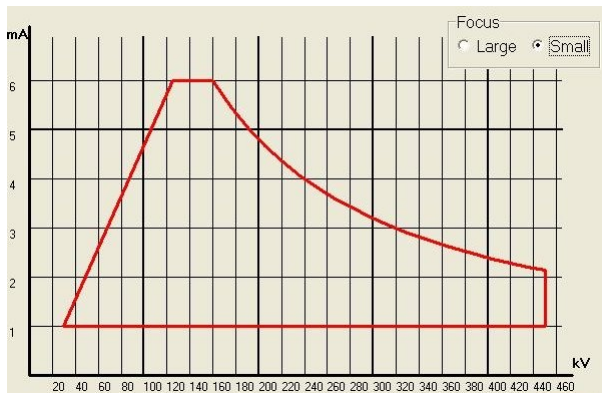
* Leakage radiation max at 1 m in mSv/h at nominal kV

All specifications are non contractual and are subject to change without prior notice

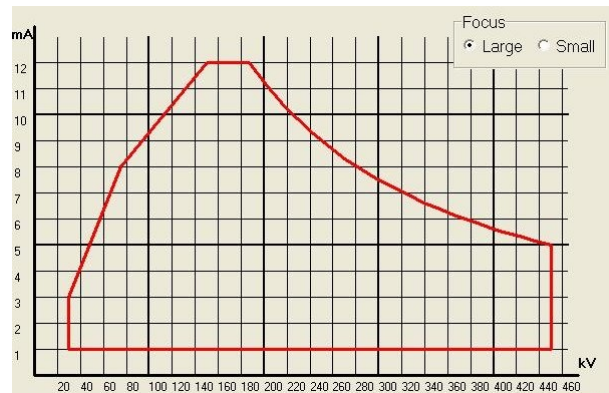
Mechanical



Dimensions in mm



Small focal



Large focal

Load curves are indicative as they display the theoretical capacity of the target that may be modified by the HV generator connected and by user's settings. Please consult our engineers for up to date information and data related to your generator.

Standard equipments

Oil connectors

Optional accessories

Quick flanges with key ; TAS03 – Tube Accessories Support ; Lead shutter ; UTS01 or UTS02 – Universal Trolley Stand ; CLMT – Tube Collimator

Producer

Balteau NDT sa

Voie de Liège, 12
B-4681 Hermalle Sous Argenteau
BELGIUM

Tel.: +32 4 374 75 75
Fax: +32 4 374 75 85
E-mail: balteau@balteau-ndt.com
Website: www.balteau.com

Distributor

All specifications are non contractual and are subject to change without prior notice