



The evolution of our Constant Potential CLD Series, the XLD Series is built with the latest technologies and offers a very high power, steadiness, sturdiness and most important for every end-users: reliability!

BALTOGRAPH XLD100



High voltage range:	10 to 100 kV
Tube current range:	0,5 to 12 mA
Tube range:	Up to 100kV
Max. output power:	650 or 1000 W
Anode cooling type:	Water
Duty cycle:	100%
Insulation:	SF6
Voltage:	230 V
Operating temperature:	Up to 50°C
Weight:	16,6 kg
Drive frequency:	30 kHz
Control Unit:	RC8 or XLP

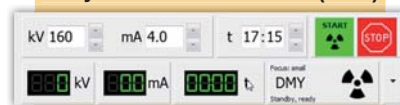
MAIN FEATURES

- Latest generation technologies
- High frequency constant potential generator
- « Ripple free »
- High duty cycle
- Current up to 12 mA
- Metal-ceramic tube
- Stationary or mobile unit
- Full automatic preheating
- Very stable output



Designed for tyre / composite inspection

X-Ray Remote Control software (XRRC)



Controls all operations remotely, directly on the computer screen. XRRC is included as a standard with every XLD units.

KEY ADVANTAGES

- RS232 interface for computer connection
- Powerful, steadiness & sturdiness
- SF6 insulation HV module
- No oil insulation for hassle free maintenance
- Can be used with panoramic or directional x-ray tubes
- Can drive two individual filament

MOST COMMON APPLICATIONS

- Tyre inspection application
- Casting / Welding inspection
- Security
- Digital applications
- Aeronautical / aerospace / Transport
- Food inspection
- Military
- Bio-medical & agriculture

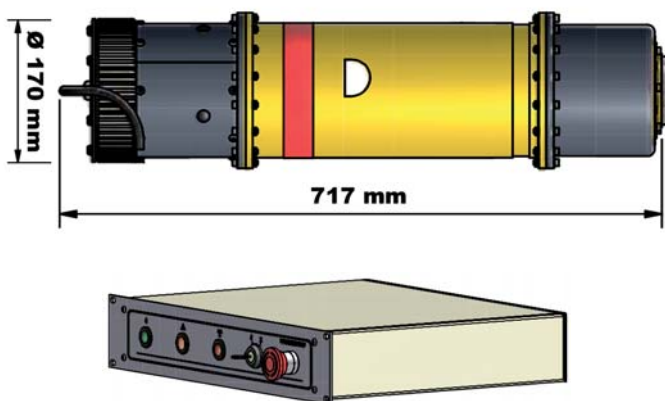
The XLD100 is a 100kV constant potential generator, direct evolution of our well known CLD100. It has been specially designed and optimized for real time applications and offers an extremely high dose stability to produce quality images comparable to conventional X-ray films.

Lightweight and highly flexible, that makes it the ideal selection for all castings and medium walled steels.

Equipped with the RC8 or the XLP, the XLD100 will be very easy to use. Both control mode are delivered with the X-Ray Remote Control (XRRC) software.



MECHANICAL DRAWING



The Baltograph XLD100 is a user friendly X-ray examination system. With accessories such as flat panels and Image Processing Software, this is the perfect digital solution.

INTERNATIONAL

- CE certified
- NFC74-100 LCIE Certified
- Manufactured under ISO9001

Specifications	Units	XLD100
High voltage range	kV	10 to 100
Tube current range	mA	0,5 to 12
Tube range	kV	Up to 100
Ripple		0,1% PP
Maximum output power	Watt	650 or 1000
Frequency	Hz	47 - 63
Drive frequency	KHz	30
Operating temperature	°C	0 to 50°C
Output connector		R10
Duty cycle	%	100%
Insulation		SF6
Voltage	V	230 (-15% +10%)
Weight	Kg	16,6
Tubehead		Balteau NDT and compatible with all leading manufacturers
Control mode:		RC8 or XLP

2 CONTROL MODES AVAILABLE

RC8 (Stand alone & computer)



The RC8 is a classic rackable control unit with a control panel for the generator's commands. The X-Ray Remote Control (XRRC) software is also delivered allowing commands by computer.



XRRC is able to control all operations remotely, directly on the computer screen. Allowing you to interact with the mA, kV, start and stop the X-ray from running, view of the tube characteristics and state, start and stop preheating, choose tube focus, load exposure charts, etc.

Main characteristics

- kV step: **1 - 2 - 3**
- mA step: **0,1 - 0,2 - 0,5**
- Casing: **19" rackable**
- Frequency: **47 - 63 Hz**

Produced by:

Balteau NDT

Rue Voie de Liège, 12
B-4681 Hermalle Sous Argenteau
Belgium

www.balteau.com
balteau@balteau.com
Tel. +32 (0) 4 374 75 75
Fax +32 (0) 4 374 75 85

XLP (Computer only)



The XLP is made for those who don't need a control panel but only commands by computer. It includes all securities and the XRRC software and connection.

Main characteristics

- kV step: **1 - 2 - 3**
- mA step: **0,1 - 0,2 - 0,5**
- Casing: **19" rackable**
- Frequency: **47 - 63 Hz**

Distributed by:

STANDARD EQUIPMENT

- XLD100 generator
- Tubehead : TSD 100kV
- Control unit : RC8 or XLP
- RS232 connection for XRRC
- A cable from the generator to the control panel
- A main power cable

OPTIONAL EQUIPMENT

- Warning flashing light with 20 m cable
- Closed circuit type water cooling unit
- Water security box
- Diaphragm for tubehead
- Shutter for tubehead
- Image Processing Software (IPS012)
- And much more