

ACCESSORIES **AVARA-C**



Dimensions:	175 x 115 x 110 mm
Power supply:	220 V
Potential free outputs:	4
Configurable Inputs:	4
Energy range:	60 to 2000 keV
Sensitivity:	1,4 Cps/mR/h
Audible alert power:	100 dBA
Weight :	0,7 kg
Protection:	IP62
Operating temperature:	-20 to 60°C
Geiger Müller detector (RX & Gamma)	
CE manufacturing process	

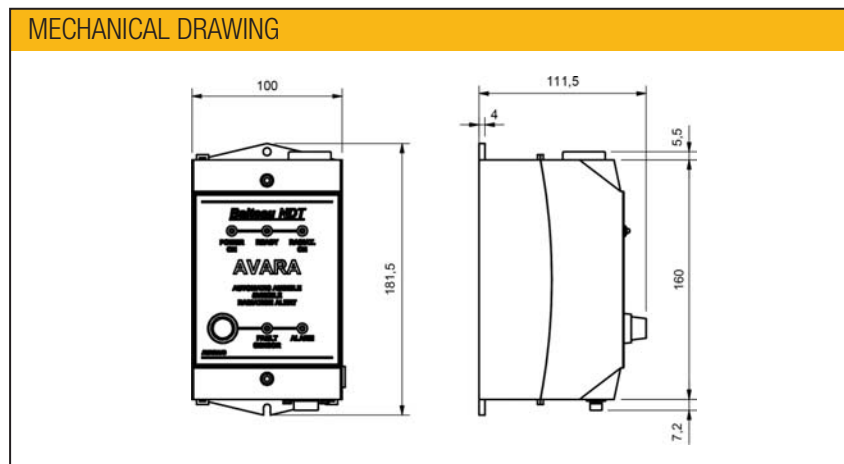
MAIN FEATURES

- Monitoring instrument
- Audible alarm (can be heard up to 30m)
- Visible alarm
- Radiation alert for shielded cabinet
- Works for the X & gamma radiation
- Increase security
- Auto-check led
- Geiger-Müller detector
- Orange flash when the AVARA is ready
- Red flash when radiation detected

KEY ADVANTAGES

- Flexibility
- Small size and light
- Data retrieving (RS232 connector)
- Smart

MECHANICAL DRAWING



AVARA/C is part of a complete range of **BALTEAU NDT** products dedicated to **Safety, Measurements and Quality improvement**.



An accurate monitoring of the radiation level in a controlled area is most of the time a legal obligation but also an essential measure in order to protect the people around.

The basic Safety principles of Radio protection (ALARA – As low as reasonably achievable) must always be followed when performing an exposure not only in the parameters selection, but also in the exposure settings.

INTERNATIONAL

- CE certified
- NFC74-100 LCIE Certified
- Manufactured under ISO9001



AVARA/C is a radiation detector linked to a shielded cabinet allowing the operator to monitor closely the working area. As soon as the unit detects X or Gamma radiation, an audible and visible alert informs the operator that the zone where the AVARA is located is being irradiated.

AVARA/C is the unavoidable tool for an efficient control of a specific area in order to guarantee a maximum security to the operator and other people standing close to the working zone.

Specifications	Units	AVARA-C
Size	mm	175 x 115 x 110
	Inch	6,9" x 4,5" x 3,9"
Weight	kg	0,7
Protection		IP62
Quality assurance	mm	CE manufacturing process
Power supply	V	220 (0,1A)
Potential free outputs		4
Configurable Inputs		4
Geiger Müller detector (RX & Gamma)		
Energy range	keV	60 to 2000
Sensitivity	Cps/mR/h	1,4
Audible alert power (flash)	dBa	100
Auto-check led		
Operating temperature	°C	-20 to 60
Storage temperature	°C	-20 to 70
Relative humidity	%	10 to 95



OPTIONAL EQUIPMENT

- External flashing lamp
- External buzzer

DIVERS

- Embedded microprocessors
- Data logging and data communication
- Auto-check

Produced by:

Baiteau NDT
 Rue Voie de Liège, 12
 B-4681 Hermalle Sous Argenteau
 Belgium

www.balteau.com
 balteau@balteau.com
 Tel. +32 (0) 4 374 75 75
 Fax +32 (0) 4 374 75 85

Distributed by:

