



**A brand new generator within the Ceram Series!  
 The Ceram 35P! The Panoramic version of our well  
 known Ceram 35, discover it now...**

**BALTOSPOT CERAM35P**



High voltage range:	<b>100 to 300kV</b>
Tube current range:	<b>0,5 to 5 mA</b>
Beam angle:	<b>360° x 30°</b>
Inherent Filtration (mm):	<b>1 Nickel/Fe</b>
Anode cooling type:	<b>Air</b>
Duty cycle:	<b>100%</b>
Insulation:	<b>SF6 gas</b>
Mains:	<b>180 - 260V</b>
Temp. switch:	<b>70°C</b>
Weight (without rings):	<b>30 kg</b>
Tubehead:	<b>Ceramic</b>
Control Unit:	<b>CF2000 or Hand-X</b>

**MAIN FEATURES**

- Pulsed wave technology
- Panoramic ceramic tube insert
- Air cooled
- Unique energy recovery module
- Rugged and light control unit
- Safety first, x-ray start with 2 buttons
- Factory set beam homogeneity
- Works on power generator
- Very stable output
- Low consumption

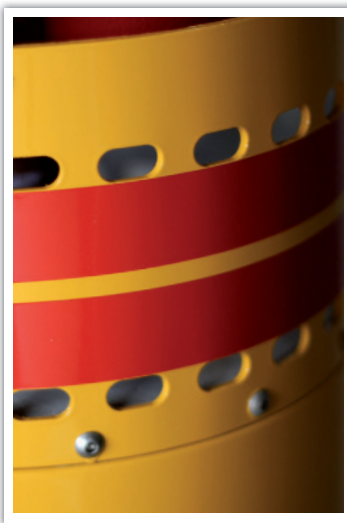


**KEY ADVANTAGES**

- Very reliable
- Ergonomic guard rings
- Temperature pressure switch
- Full automatic preheating process
- Low power requirement
- Cables with reduced size and weight
- Can be delivered with our 900g Hand-X including a Geiger-Müller detector
- CANON mil. metallic connectors
- Steadiness & Sturdiness

**MOST COMMON APPLICATIONS**

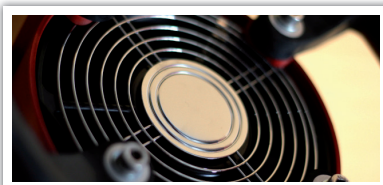
- Oil & Gas
- Shipyard building & Building sites
- Petrochemical & Power plants
- Tanks, reservoirs & pressure vessels
- Inspection companies & training centers
- Conventional films or CR applications



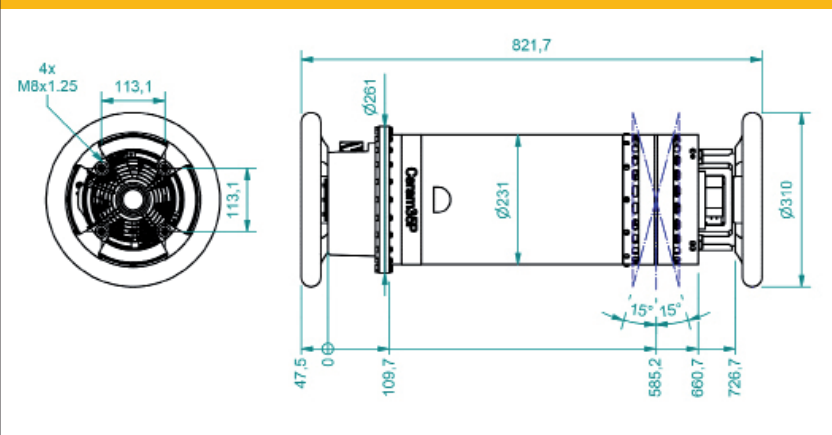
**The Ceram Series is a reference in the X-Ray industry for reliability, high performances and robustness.**

**The Ceram 35P is the panoramic brand new portable generators designed by Balteau NDT and is offering no less than 300kV, 5mA and 100% duty cycle for an incredible image contrast even at full power.**

**This unit will surely become a reference on the market as it can be classified as a high power portable unit and can be operated with our classic CF2000 control unit but also with our well known Hand-X Wireless Remote Control.**



**MECHANICAL DRAWING**



**Gas insulation and right components selection have succeeded in producing one of the lightest 300kV panoramic unit.. The unit is extremely versatile and is confirming our reputation of builders for machines that are really made for field.**

**INTERNATIONAL**

- CE certified
- NFC74-100 LCIE Certified

Specifications	Units	CERAM35P
High voltage range:	kV	100 - 300
Tube current range:	mA	0,5 - 5
Maximum anode power dissipation:	Watt	1500
Beam angle:		360° x 30°
Focal spot size (IEC336):	mm	Ø 4 x 1
Steel penetration at max (*):	mm	49
Max recommended temp.:	°C	50°
Temperature switch:	°C	70°
Inherent filtration:	mm	1 Nickel/Fe
Anode cooling type:		Air
Duty cycle:	%	100
Mains:	V	180 - 260
Weight (without rings):	Kg	30
Tubehead:		Ceramic
Control unit:		CF2000 or Hand-X

\* FFD= 700mm/Film Carestream Industrex AA400/D=2.0/t=10min.

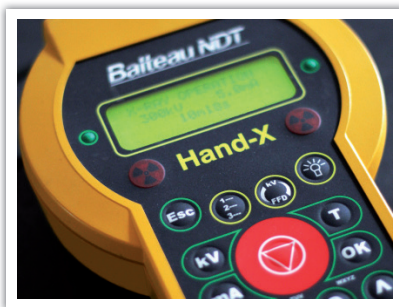


## CF2000

- kV min step: **1**
- mA min step: **0,1**
- Time min step: **1 sec up to 99min 59sec**
- Memories: **100 last exposure/memories**
- Display: **4 lines, green back lighting**
- Mains: **170-260 V**
- Weight: **12,5kg**

### STANDARD EQUIPMENT

- Internal pressure gauge
- Heavy duty lock type connector
- 20m connecting cable for control unit
- 10m power cable
- Cradle with heavy duty hand rings
- Bag for accessories



## Hand-X (Wireless remote control)

- kV min step: **1**
- mA min step: **0,1**
- Time min step: **1 sec up to 99min 59sec**
- Memories: **100 last exposure/memories**
- Display: **4 lines, green back lighting**
- Battery: **8h charge capacity**
- Weight: **900g**

### OPTIONAL EQUIPMENT

- AVARA/P
- Warning flashing light & repeater
- Transport case
- Cradle & 4 legs adjustable stand
- Hydraulic stand
- 100-260 V adapter

### Produced by:

#### Balteu NDT

Rue Voie de Liège, 12  
B-4681 Hermalle Sous Argenteau  
Belgium

www.balteu.com

balteu@balteu.com

Tel. +32 (0) 4 374 75 75

Fax +32 (0) 4 374 75 85

### Distributed by:

