

BALTOSPOT DC1



Mains supply AC:	170 to 260 V
Frequency (Hz):	45 to 66 Hz
Duty cycle:	100%
Operating temperature:	- 10 to +50 °C
kV min step:	1 kV
mA min step:	0,1 mA
Time min step (s):	1, up to 99 min 59 s
Display:	4 lines, green back lighting
Memories:	100 last exposure
Weight:	9,2 kg

CHARACTERISTICS

- Drives the constant potential generators
- Automatic recognition system
- Automatic preheating
- Controlled by microprocessor
- Works with up to 1000W generators
- Parameters and last exposures held into memory
- Several languages available
- User friendly



KEY ADVANTAGES

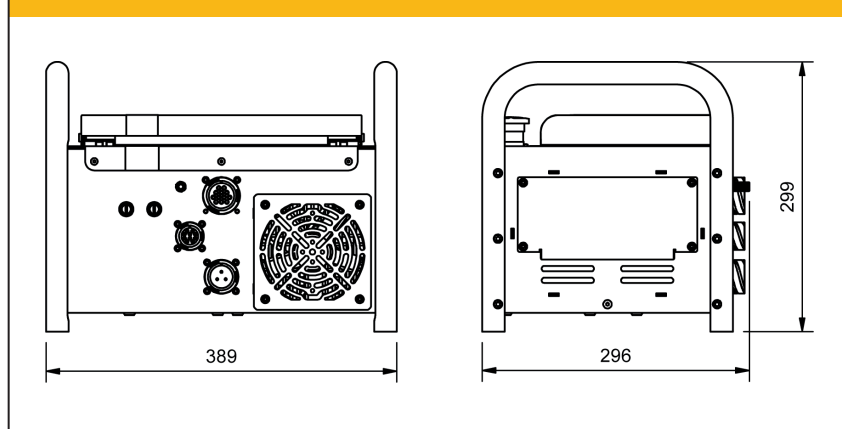
- Compact & robust industrial design
- Designed for a harsh environment
- Stable and constant output even with bad power supply
- Low power requirement
- Easy transport : robust casing
- Ergonomic keypad and numpad
- 4 lines display : clear indications
- Safety oriented: X-ray start with 2 buttons
- Lightweight cables
- CANON mil. Metallic connectors

The DC1 control unit is derived from our well known CF2000 control unit and offers the majority of the same features but for controlling the BALTOSPOT Portable Constant potential series.

The unit can be distinguished from others by its two red handles and its slightly smaller size. Because power availability on sites is not that often easy to obtain, the DC1 unit uses the minimum power as possible. It also adapts to the different power supplies or variations without influencing the dose output or your image quality.

As always, Balteau is safety oriented and nothing has been left aside in that field. The waterproof ergonomic keypad and the large robust handles attached on the side are making it ideal for on site jobs as well as desktop uses. The 4 lines backlit clear display is giving at all time the necessary indications to the users about the status of operations. A convenient bright yellow cover is also protecting your unit when not in use.

MECHANICAL DRAWING



INTERNATIONAL

- CE certified
- NFC74-100 LCIE certified

Specifications	Units	DC1
Mains supply AC:	V	170 to 260
Frequency (Hz):	Hz	45 to 66
Duty cycle:	%	100
Operating temperature:	°C	-10 to +50
Connectors:		Metallic military type. Independent earth screw
Casing:		Aluminium, rough construction with protective handles and metallic cover
kV min step:	kV	1
mA min step:	mA	0,1
Time min step:	s	1 up to 99 min 59 s
Keypad:		24 keys embossed surface, anti scratch long life surface treatment
Automatic preheating:		Yes (90 sec. minimum)
Memories:		100 last exposure, 100 memories
Display:		4 lines, crystal clear, green back lighting, adjustable contrast
Warning lights and safety device:		3 steps X-ray ON key, lockable emergency stop switch (CE)
		3 positions key switch, Buzzer, Alphanumeric messages and LED
Weight:		9,2 kg



CANON metallic military connectors



Works with LLX Series

STANDARD EQUIPMENT

- DC1 control unit with cover and handles
- 3 positions key switch

OPTIONAL EQUIPMENT

- 100 - 260 V adapter (US - 60Hz)
- Extra cables
- Clignotix and safety box for switch connection
- RS232 Cable

Produced by:

Balteau NDT

Rue Voie de Liège, 12
B-4681 Hermalle Sous Argenteau
Belgium

www.balteau.com

balteau@balteau.com

Tel. +32 (0) 4 374 75 75

Fax +32 (0) 4 374 75 85

Distributed by:

