

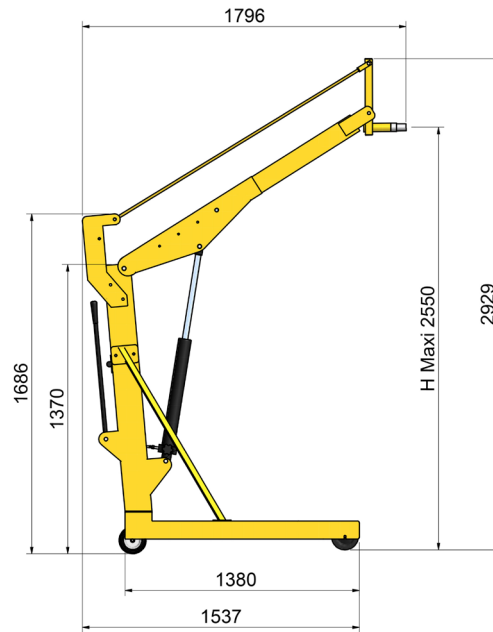
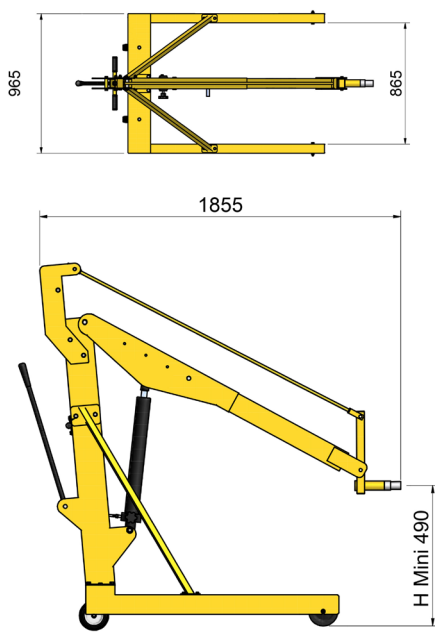


*This stand has been designed to move up to the 450 kV tubehead. The height of the focal spot is adjustable between 500 mm and 2400 mm.*

*The X-ray beam can be oriented at any angle between the vertical and horizontal positions. The crane can be mounted with any of the tubeheads. Each tubehead is mounted on the hydraulic appropriate clamp (not shown on picture).*

*Once the angle of the X-ray beam is chosen it remains the same whatever the height from the ground.*

**MECHANICAL DRAWING**



Poids: 106 kg

**Contact details**

**Balteau NDT**  
 Rue Voie de Liège, 12  
 B-4681 Hermalle Sous Argenteau  
 Belgium

www.balteau.com  
 balteau@balteau.com  
 Tel. +32 (0) 4 374 75 75  
 Fax +32 (0) 4 374 75 85

**Distributed by:**

