

**BALTOGRAPH LS1C2**



Mains:	90 - 245 V
Frequency:	45 - 66 Hz
Measure of kV & mA:	True measure
Duty cycle:	100 %
Operating temperature:	+5°C to +50°C
Kv step:	1 - 2 - 5 kV
mA step:	0,1 - 0,2 - 0,5 mA
I/O:	4 x Sub-D9
Memories:	10.000
Modes:	Standard, Supervisor, SAV
Connection:	USB
Weight:	4,8 kg

**CHARACTERISTICS**

- Rackable unit of our LS1 control unit
- Embedded security such as emergency stop, security loops, 3 positions key switch, etc.
- X-ray remote control software from the Baltoscope Inspection Suite



**KEY ADVANTAGES**

- 19" rack metallic casing
- Large emergency switch
- LED light for unit status
- 3 positions key for maximum safety
- Embedded watch dog

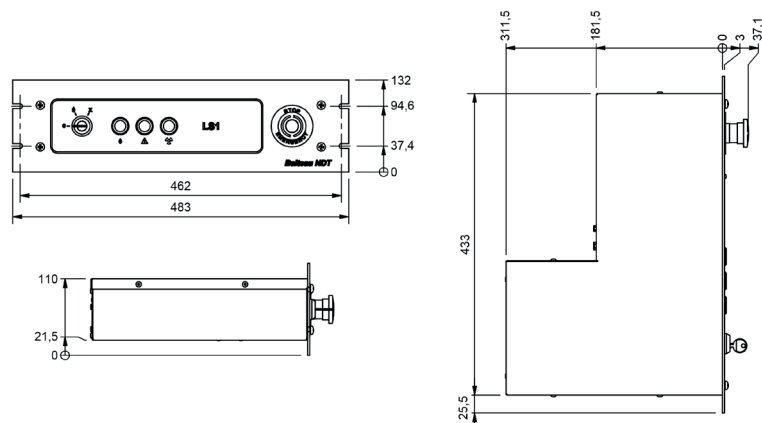
The evolution of our LS1C, the LS1C2 is the ultimate rackable version for systems uses. This version is delivered with its control protocol which includes all commands to set up and perform X-ray exposures.

The LS1C2 works with the well known « X-ray Remote Control » software under Windows 7 64 bits, which allows you to manage from the preparation (preheating, modes, etc...) to the X-ray exposure.

TCP/IP type commands are provided for custom / OEM oriented applications.

All the features developed on the standard LS1 such as the automatic recognition of Baltograph generators,

**MECHANICAL DRAWING**



automatic preheating, TSC/TSD tubeheads recognition, diagnostic and maintenance modes are standard.

**INTERNATIONAL**

- CE certified
- NFC74-100 LCIE certified

Specifications	Units	BALTOGRAPH LS1C2
Mains:	V	90 - 245
Frequency:	Hz	45 - 66
Measure of kV and mA:		True measure
LED display and safety device:		3 positions key switch: Mains ON - X-ray ON - Prewarning
		Emergency stop - Buzzer for audible warning
Main screen:		Selection mode, settings and controls
kV step:	kV	1 - 2 - 5
mA step:	mA	0,1 - 0,2 - 0,5
Memories:		10000 with users directories
Modes:		Standard user, Supervisor, SAV (maintenance and service)
Misc.:		Multiple tubeheads database management, built in Help & operating manual, Exposure curves, Database option, Intelligent preheating, etc.
Generator connection:		Sub-D26
Device connection:		1 x USB 2.0
4 configurable and programmable I/O:		Sub-D9
Operating temperature:	°C	+5 to +50
Protection:		IP54
Weight:	Kg	4,8
Casing:		Aluminium

## OPTIONAL EQUIPMENT

- USB storage device
- USB mouse
- Any Software of the Baltoscope Suite

## BALTSOPE INSPECTION SUITE

IPSO12 is part of a complete suite of software dedicated to serve the x-ray industry and designed by Balteau NDT. For more information about any of the software or the complete suite, do not hesitate to contact us via [marketing@balteau.com](mailto:marketing@balteau.com)



### Contact details

**Balteau NDT**  
 Rue Voie de Liège, 12  
 B-4681 Hermalle Sous Argenteau  
 Belgium

www.**balteau.com**  
 balteau@**balteau.com**  
 Tel. +32 (0) 4 374 75 75  
 Fax +32 (0) 4 374 75 85

### Distributed by:

