

BALTOGRAPH TSD225/0



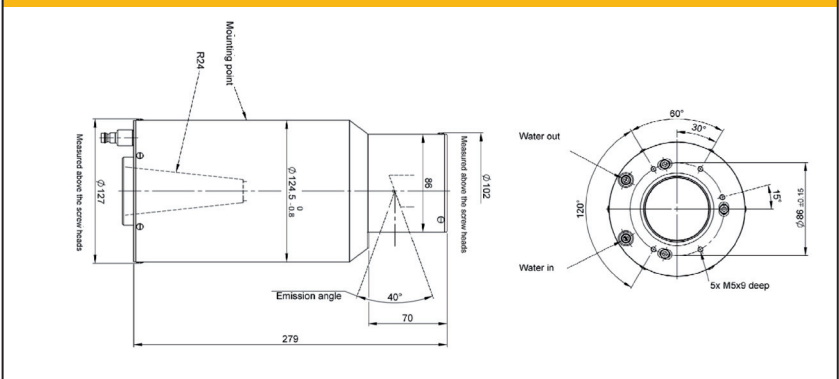
Max high voltage:	<b>225 kV</b>
Nominal power:	<b>640 / 3000</b>
Focal spot size (EN12543):	<b>1 - 5,5</b>
Beam angle:	<b>40°</b>
Target angle:	<b>20°</b>
Inherent Filtration (mm):	<b>0,8 Be</b>
Anode cooling type:	<b>Water</b>
Cooling flow rate:	<b>4l/min</b>
Leakage:	<b>10mSv/h@1m</b>
Max current:	<b>15 / 30 mA</b>
Weight :	<b>11 kg</b>
Tubehead:	<b>Metal Ceramic</b>

The TSD225/0 is the highest capacity Monopolar tube of our range. It is designed to be used on light alloys, composites or medium steel thicknesses. One large filament can be used for high power applications (3 kW) and high dose demanding applications while the small focus will be ideal for high definition radiographies at reduced distances. The TSD225/0 is generally highly sufficient for the majority of standard industrial applications and is giving the advantage of still being Monopolar.

Slightly larger than a 160 tube, the housing diameter is only 124 mm which will ensure that the tube can still be inserted even in tiny spaces. The tube shielding is internal and reduces the radiation leakage to less than 1 R/h @ 1 m as required by International standards. In and out fluid inlets are mounted with universal connectors while the HV plug cone is a R24.

This tube can be used with all brands of generators provided that the load curve can be adapted. See our specialists if you intend to connect this tube to another unit than a BALTEAU.

MECHANICAL DRAWING



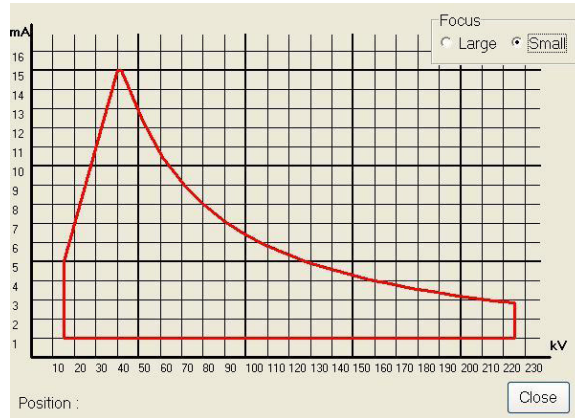
Specifications

Max. High voltage	kV	225	Nominal power	W	640/3000
Tube type		Metal Ceramic	Inherent filtration	mm	0,8 Be
Beam angle		40°	Target angle		20°
Cooling mode		Water	Leakage *	mSv/h @1m	10
HV Connector		R24	Cooling flow rate	l/min	4
Part number		04840100	Weight	Kg	11

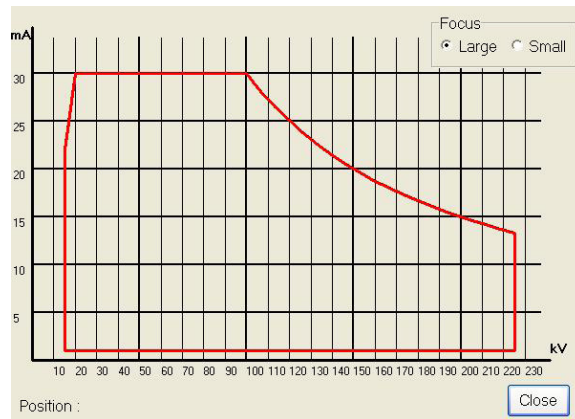
Small Focal			Large Focal		
Max. Current @ kV Max.	mA	2,8	Max. Current @ kV Max.	mA	13
Focal spot EN12543	d	1	Focal spot EN12543	d	5,5
Max. Current	mA	15	Max. Current	mA	30

\* Leakage radiation max at 1m in mSv/h at nominal kV

**Load curves**



**SMALL FOCAL**



**LARGE FOCAL**

*Load curves are indicative as they display the theoretical capacity of the target that may be modified by the HV generator connected and/or by user's settings. Please consult our engineers for up to date information and data related to your generator.*

**STANDARD EQUIPMENT**

**Part designation**

Fittings for water hose connections d=8 and d=12 mm

**OPTIONAL ACCESSORIES**

**Part designation**

Quick flanges with key

Tube Accessories Support

Lead shutter

Four legs stand

Tube collimator

**Contact details**

**Balteau NDT**

Rue Voie de Liège, 12  
B-4681 Hermalle Sous Argenteau  
Belgium

www.balteau.com

balteau@balteau.com

Tel. +32 (0) 4 374 75 75

Fax +32 (0) 4 374 75 85

**Distributed by:**

