

BALTOGRAPH TSD450/0



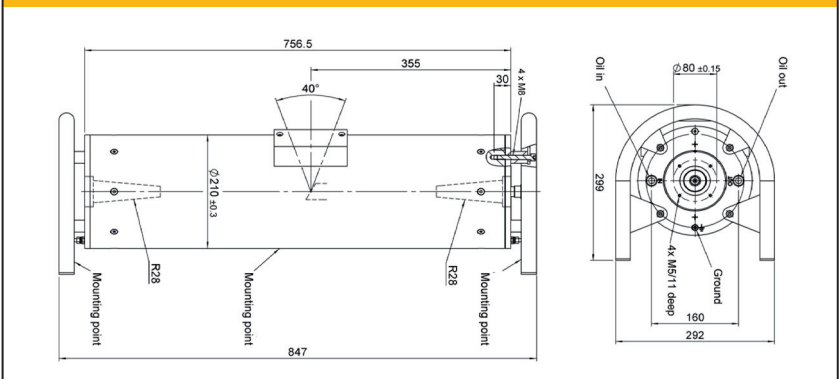
Max high voltage:	450 kV
Nominal power:	900 / 4500
Focal spot size (EN12543):	2,5 - 5,5
Beam angle:	40°
Target angle:	30°
Inherent Filtration (mm):	5 Be
Anode cooling type:	Oil
Cooling flow rate:	14l/min
Leakage:	10mSv/h@1m
Max current:	10 / 24 mA
Weight :	95 kg
Tubehead:	Metal Ceramic

The TSD450/0 is introducing the series of the highest powerful tubes manufactured by BALTEAU. This tube doesn't offer a compromise to power neither to flexibility but is designed for heavy walled and highly absorbing applications mainly. Two independent filaments are giving the possibility to perform inspections up to 4,5 kW on the large filament. Thanks to its beryllium window this tube also delivers soft X-rays for light materials or improved radiographic techniques.

The tube shielding is internal and reduces the radiation leakage to less than 1 R/h @ 1 m as required by International standards. In and out fluid inlets are mounted with universal connectors while the two HV plug cones are R28.

This tube can be used with all brands of generators provided that the load curve can be adapted. See our specialists if you intend to connect this tube to another unit than a BALTEAU.

MECHANICAL DRAWING



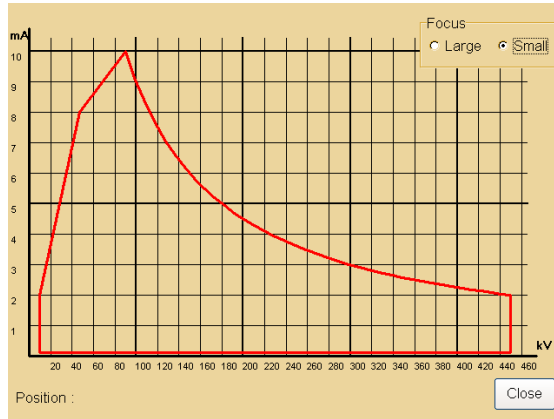
Specifications

Max. High voltage	kV	450	Nominal power	W	900/4500
Tube type		Metal Ceramic	Inherent filtration	mm	5 Be
Beam angle		40°	Target angle		30°
Cooling mode		Oil	Leakage *	mSv/h @1m	10
HV Connector		R28	Cooling flow rate	l/min	14
Part number		04840450	Weight	Kg	95

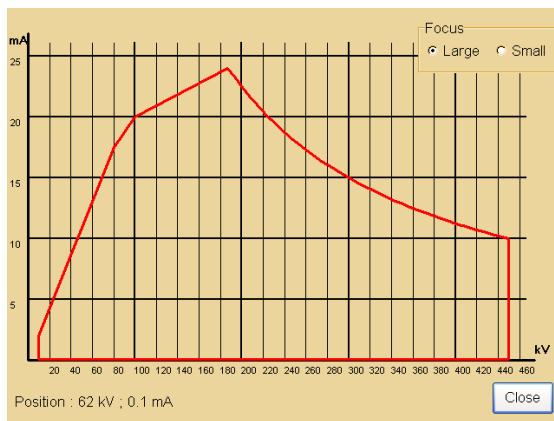
Small Focal			Large Focal		
Max. Current @ kV Max.	mA	2	Max. Current @ kV Max.	mA	10
Focal spot EN12543	d	2,5	Focal spot EN12543	d	5,5
Max. Current	mA	10	Max. Current	mA	24

* Leakage radiation max at 1m in mSv/h at nominal kV

Load curves



SMALL FOCAL



LARGE FOCAL

Load curves are indicative as they display the theoretical capacity of the target that may be modified by the HV generator connected and/or by user's settings. Please consult our engineers for up to date information and data related to your generator.

STANDARD EQUIPMENT

Part designation

- Oil hose connector 1/2"
- Oil quick connector

OPTIONAL ACCESSORIES

Part designation

- Quick flanges with key
- Tube Accessories Support
- Lead shutter
- Universal trolley stand
- Tube collimator

Contact details

Balteau NDT

Rue Voie de Liège, 12
B-4681 Hermalle Sous Argenteau
Belgium

www.balteau.com
balteau@balteau.com
Tel. +32 (0) 4 374 75 75
Fax +32 (0) 4 374 75 85

Distributed by:

