



Portable generators need to be installed in a stable position for performing workshop or field operations.

Known as a Cradle before, we have issued now a revised version of the Protective cradle which can now easily be turned into a Stand too. A robust lightweight four legs stand is now available for all your demanding requirements.

Our universal BALTOSPOT Portable Stand can host all the GF, Ceram, LLX, of BALTEAU. Units are surrounded and protected by a steel frame which



### Contact details

**Balteau NDT**  
Rue Voie de Liège, 12  
B-4681 Hermalle Sous Argenteau  
Belgium

www.balteau.com  
balteau@balteau.com  
Tel. +32 (0) 4 374 75 75  
Fax +32 (0) 4 374 75 85

### Floor space required for\*

#### CERAM35

- For 620mm legs height : 550 x 665mm
- For 980mm legs height : 855 x 815mm

#### CERAM235

- For 620mm legs height : 550 x 640mm
- For 980mm legs height : 855 x 795mm

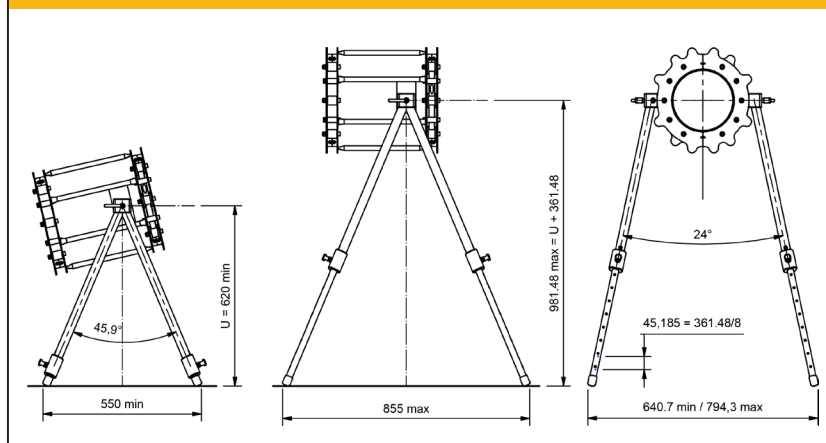
#### LLX200 / LLX160 / LLX110

- For 620mm legs height : 550 x 545mm
- For 980mm legs height : 855 x 695mm

### Basic features

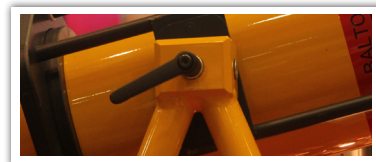
- Robust construction (aluminium tubes)
- Good stability of the unit
- Easy and soft rotation
- Anti-slipping shoes
- Height adjustment : Quick spring adjustment button
- Cradle adapted to the generator
- Convenient cradle: can be fixed permanently on the generator
- Shape : Non round surfaces to avoid rolling on tubular surfaces

### MECHANICAL DRAWING



can be securely fastened on the height adjustable legs. From then on, all movements are possible: rotation on axis, vertical or even upside down position.

When transporting the stand, the unit can be disassembled and then occupies the minimum space during transport. Wheels can also be adapted



### Possible movements

- Around a-axis : 360°
- Around B-axis : 360°
- Height : 620 to 980 mm

### Distributed by:

