



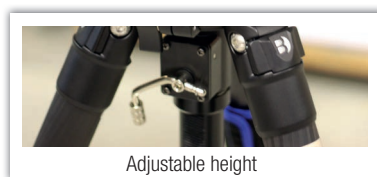
The stative Tripod can be used with every portable generator from the Baltospot range as well as most of the tubehead from the Baltograph and digital detectors from Baltoscope.



Clamp system for Baltospot & Baltograph

Very stable for fields applications, this aluminium robust device is used

to ease the work of the operator. The hand strap makes the carrying of this tripod very convenient.

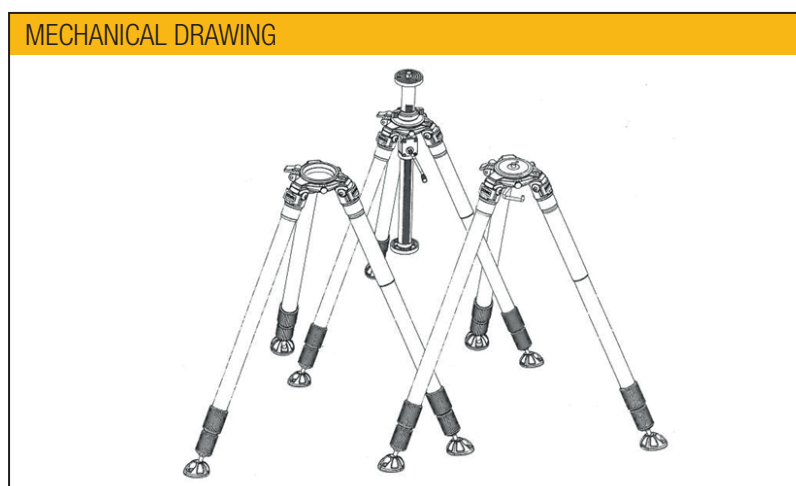


Adjustable height

This tripod can also be equipped with a quick clamp system.



Also available for digital detectors



Specifications	Units	STAND STATIVE TRIPOD
Feet:		3 adjustable foot (height and angle)
Minimum height:	mm	170
Maximum height:	mm	2075
Horizontal rotation:		360°
Weight:	kg	3,62
Maximum load:	kg	32

Contact details

Balteau NDT
Rue Voie de Liège, 12
B-4681 Hermalle Sous Argenteau
Belgium

www.balteau.com
balteau@balteau.com
Tel. +32 (0) 4 374 75 75
Fax +32 (0) 4 374 75 85

Distributed by:

