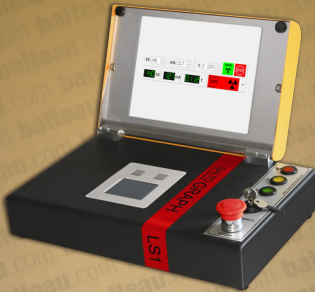


BALTOGRAPH LS1



| | |
|------------------------|---------------------------|
| Mains: | 90 - 245 V |
| Frequency: | 45 - 66 Hz |
| Measure of kV & mA: | True measure |
| Duty cycle: | 100 % |
| Operating temperature: | +5°C to +50°C |
| Kv step: | 1 - 2 - 5 kV |
| mA step: | 0,1 - 0,2 - 0,5 mA |
| Display: | TFT colour screen |
| Memories: | 10.000 |
| Modes: | Standard, Supervisor, SAV |
| Connection: | USB |
| Weight: | 4,8 kg |

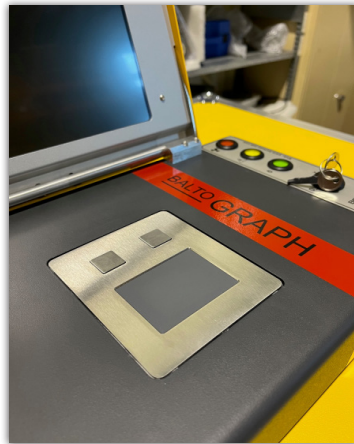
CHARACTERISTICS

- Unique control unit
- Micro-processor able to drive any generators of the Baltograph series
- Many integrated functions
- Large internal memory
- Load curves of the tube connected
- Operating manual fully integrated with display via the HELP function
- Large TFT colour screen
- Compact, lightweight
- Central Touch Pad
- A system version exists



KEY ADVANTAGES

- Interactive exposure charts to determine shooting parameters
- Define the load curve of a new X-ray tube
- Possibility to work in « scopie mode »
- kV & mA adjustable in real time via ball navigator
- I/O configurable by the user to launch actions in function external events
- Troubleshooting
- Record the results on an external USB
- Ability to update the software via an USB



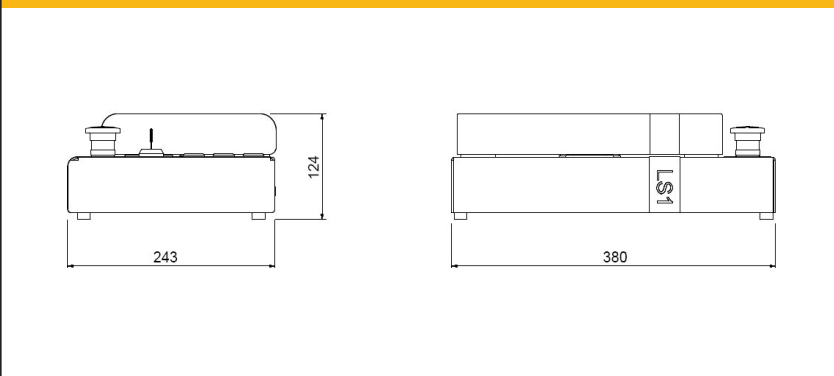
LS1 is a micro processor based unit able to drive any generators of the Baltograph series. From 100kv units to 450 kV, stationary or mobile, the same control unit can be used and will automatically recognize, Units and tubes connected.

An innovative and evolutive embedded software made by Radiographers with downloadable additional features, is the brain of all operations and thanks to the central Touch Pad, operations and selections are becoming intuitive and easy

The Large TFT colour screen enclosed into the front cover is foldable and well readable by changing the inclination to your convenience.

Working status can visually be checked at all time as the main indicators are outside of the cover area. Very compact and lightweight the LS1 is designed to be used with either a mobile or stationary unit. A system version also exists to be integrated in cabinets and electrical enclosures.

MECHANICAL DRAWING



INTERNATIONAL

- CE certified
- NFC74-100 LCIE certified

| Specifications | Units | BALTOGRAPH LS1 |
|--------------------------------------|-------|--|
| Mains: | V | 90 - 245 |
| Frequency: | Hz | 45 - 66 |
| Measure of kV and mA: | | True measure |
| LED display and safety device: | | 3 positions key switch: Mains ON - X-ray ON - Prewarning |
| | | Emergency stop - Buzzer for audible warning |
| Main screen: | | Selection mode, settings and controls |
| kV step: | kV | 1 - 2 - 5 |
| mA step: | mA | 0,1 - 0,2 - 0,5 |
| Memories: | | 10000 with users directories |
| Modes: | | Standard user, Supervisor, SAV (maintenance and service) |
| Misc.: | | Multiple tubeheads database management, built in Help & operating manual, Exposure curves, Database option, Intelligent preheating, etc. |
| Generator connection: | | Sub-D26 |
| Device connection: | | 1 x USB 2.0 |
| 4 configurable and programmable I/O: | | Sub-D9 |
| Operating temperature: | °C | +5 to +50 |
| Protection: | | IP54 |
| Weight: | Kg | 4,8 |
| Casing: | | Aluminium |



OPTIONAL EQUIPMENT

- USB storage device
- USB mouse

Contact details

Balteau NDT

Rue Voie de Liège, 12
B-4681 Hermalle Sous Argenteau
Belgium

www.balteau.com

balteau@balteau.com

Tel. +32 (0) 4 374 75 75

Fax +32 (0) 4 374 75 85

Distributed by:

